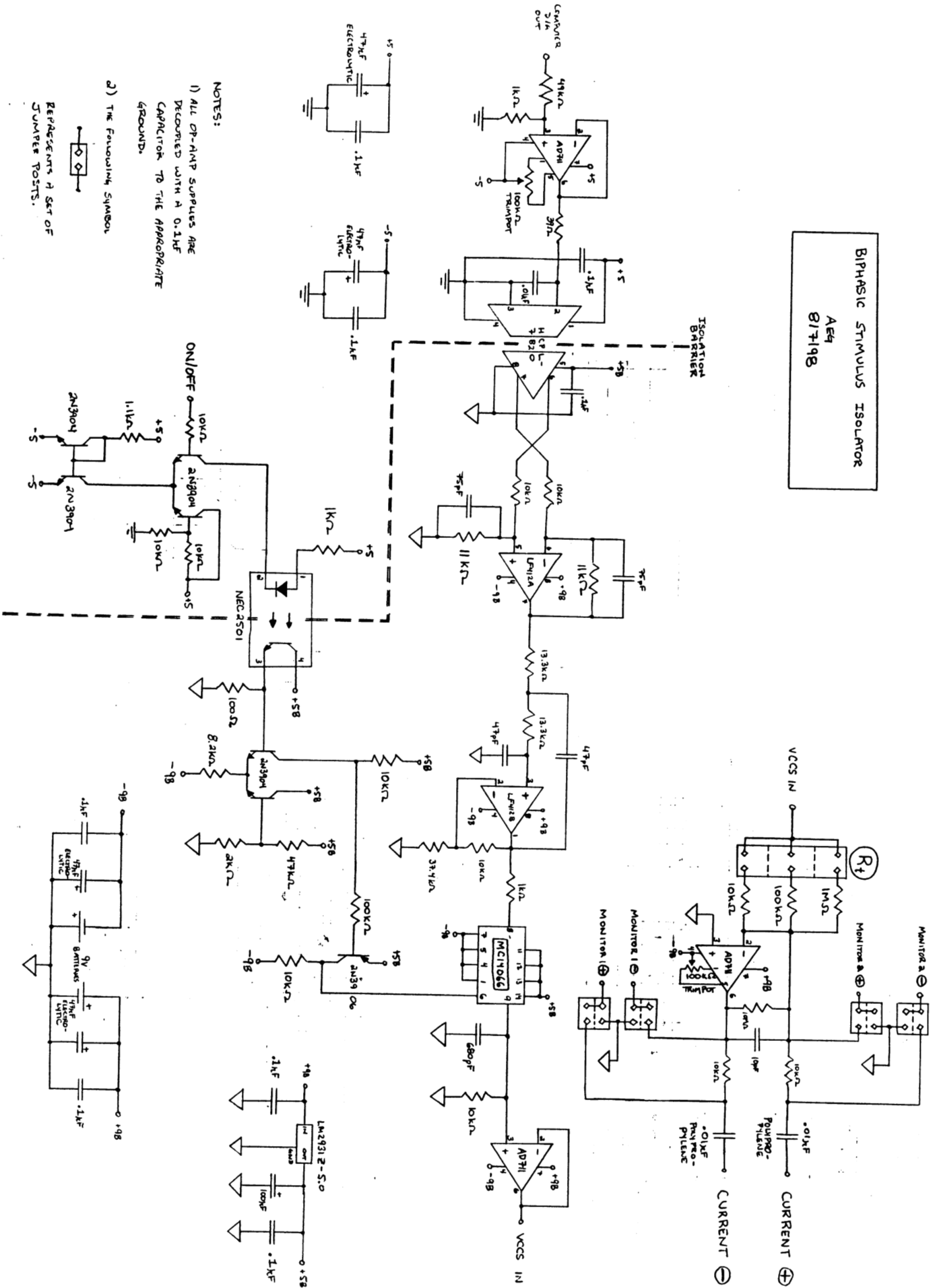


BIPHASIC STIMULUS ISOLATOR
AES4
8/7-198



NOTES:

1) ALL OP-AMP SUPPLIES ARE DECOUPLED WITH A 0.1uF CAPACITOR TO THE APPROPRIATE GROUND.

2) THE FOLLOWING SYMBOL



REPRESENTS A SET OF JUMPER POSTS.